

IZAR RC i R4

RADIO MODULE

DIEHL
Metering



APPLICATION

The new generation of IZAR Radio Compact Inductive R4 is devoted to remote meter reading. IZAR RC i R4 module can be clipped onto all the meters of the Diehl Metering inductive modular range (Ha+Ti or Ti), with a grey ring (red for hot water). It comprises the new sensor operating on inductive principle. Easy to fit, IZAR RC i R4 is field or factory programmable with the identification number of the associated meter. IZAR RC i R4 radio module transmits the meter reading, via an unidirectional link, every 8 seconds in mobile mode (R3) and every 15 minutes in fixed network (R4). It offers a number of functions (index at anniversary date, battery lifetime...) and alarms (leaks, meter blocked, reverse flow...).

FEATURES

- ▶ Compact radio emitter
- ▶ Compatible with a modular meter inductive technology (Ha+Ti or Ti)
- ▶ Available in 868 MHz and 434 MHz
- ▶ IP 68
- ▶ Typical lifetime up to 15 years
- ▶ Different functions and alarms
- ▶ Insensitive to magnetic fraud

IZAR RC i R4

RADIO MODULE

PRINCIPLE OF OPERATION

IZAR RC i R4 includes an electronic circuit that picks up the data sent by an emitter (clipped on a Diehl Metering water meter) and stores them in a memory. IZAR RC i R4 transmits the index and other operating information every 8 seconds on mobile mode (R3) and every 15 minutes on fixed network (R4).

Walk-by/Drive-by :

The IZAR HANDHELD PSION*, equipped with an IZAR RECEIVER BLUETOOTH collects the reading information and directly transfers them to the central computer system.

Fixed network :

A fixed IZAR RECEIVER GPRS/LAN, installed in buildings, will collect the data from all the IZAR RC i R4 , memorized them, and send them each day via GPRS/LAN to a centralized server. Reading through M-Bus application with IZAR CENTER is possible as well.

(*) IZAR system is also compatible with other handheld computers. Please contact us.

TECHNICAL DATA

IZAR RC i R4	
Communication protocol	PRIOS
Frequency	MHz 868.95 or 434.47 (R3 mode) and 868.30 or 433.42 (R4 mode)
Modulation	FSK
Transmission power	mW 16
Transmission mode	Unidirectional
Radio range	Up to 500 m depending on the environment
Approval	EN 300 220, CE RTTE
Power supply	Lithium 3.6 V
Typical life	up to 15 years*

* Standard conditions of use and temperature. Theoretical life, with no guarantee.

AMBIENT CONDITIONS

IZAR RC i R4	
Operating temperature range	°C -15 ... +55
Storage temperature range	°C -20 ... +70
Ambient humidity	% 0 ... 100
Degree of protection	IP 68

PROGRAMMING

IZAR RC i R4	
Interface	Optical IrDA
Alarms management	Leak detection; Mechanical tampering; Meter stopped; Overflow; Underflow; Backflow; Index historic

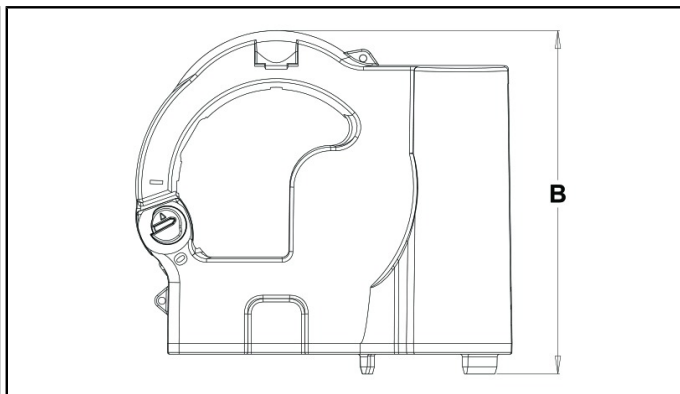
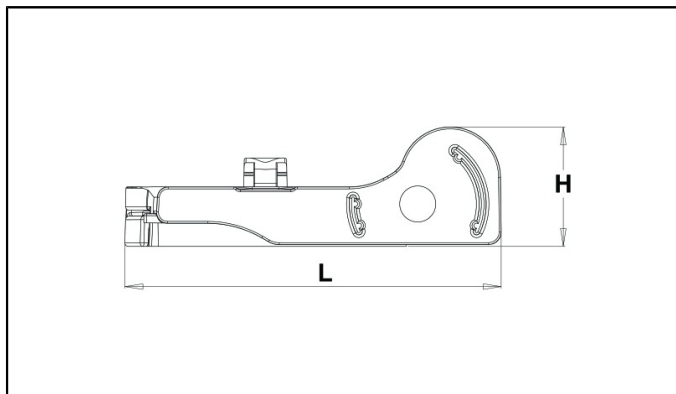
COMPATIBILITY

IZAR RC i R4	
Meters	Diehl Metering inductive modular range Ha+Ti or Ti (grey ring). Pulse weight DN15 to DN40 mm (1 liter) / Pulse weight DN50 to DN100 mm (10 liters)

IZAR RC i R4

RADIO MODULE

DIMENSIONS



IZAR RC i R4			
Length	L	mm	100
Height	H	mm	33
Width	B	mm	100