

IZAR RC I G4

RADIO | RADIO MODULE

DIEHL
Metering



APPLICATION

Compact radio module with inductive sensor for Diehl Metering modular meters. Usable for optimum reading with difficult access.

FEATURES

- ▶ OMS certified to version 3, security profile A
- ▶ Simple installation
- ▶ Transmission of meter data by radio to mobile or stationary receivers
- ▶ AES 128-Bit encryption of the data
- ▶ For Diehl Metering modular meters
- ▶ Secured against magnetic manipulation
- ▶ On-site-programming using IrDa interface
- ▶ Battery powered with a lifetime of up to 12 years

IZAR RC i G4

RADIO | RADIO MODULE

PRINCIPLE OF OPERATION

The IZAR RADIO COMPACT I G4 consists of an electronic unit, which receives and saves meter information in the form of pulses. The radio module sends the meter number, meter reading and various items of operating information every 12 sec. The data can be received by a mobile or static receiver.

Mobile: The IZAR@MOBILE 2 TABLET collects the data in walk-by or drive-by mode in conjunction with the IZAR RECEIVER BT. The data for the reading route is sent directly to the central PC.

Fixed network: An IZAR Radio Data Concentrator (M-BUS, LAN, 2G/3G) collects and saves the data and transfers it cyclically to a control centre (e.g. IZAR CENTER, FTP-Server).

TECHNICAL DATA

IZAR RC i G4	
Versions / Frequency band	868,95 or 434,475 MHz
Modulation	FSK
Transmission power	16 mW
Transmission mode	unidirectional
Radio range	Up to 500 m depending on ambient conditions
Approval in compliance with standard	EN 300 220, CE, RED directive, EN 13757-3/-4
Power supply	Lithium battery 3.6 V
Battery lifetime	Up to 12 years

AMBIENT CONDITIONS

IZAR RC i G4	
Operating temperature	°C -15 ... +55
Storage temperature	°C -20 ... +70
Humidity	% 0 ... 70 (non-condensing)
Protection class	IP 68

PROGRAMMING

IZAR RC i G4	
Optical Interface	IrDA
Alarms	Leak detection Mechanical tampering Meter stopped Overflow Underflow Backflow Low battery indicator
	Current index 3 historical index values (yearly, monthly, weekly or daily) detailed leaks information: numbers of leaks, number of leaks day, date of the last leak, estimated volume of the leak(s)

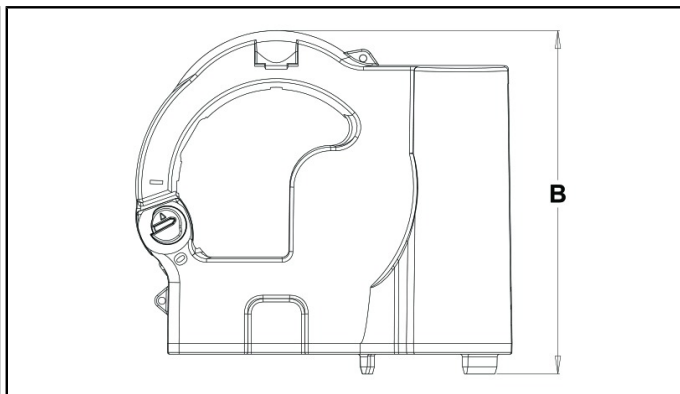
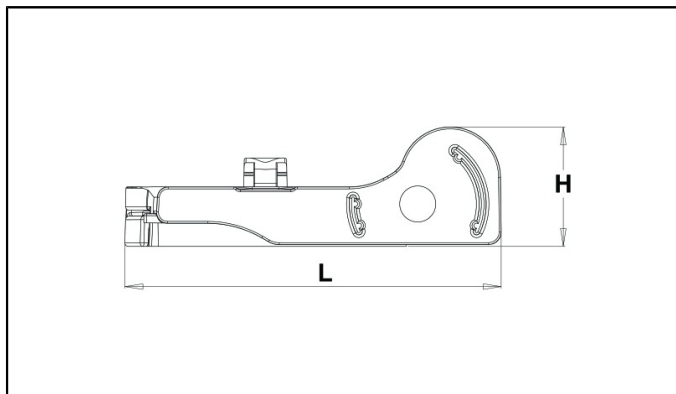
COMPATIBILITY

IZAR RC i G4	
Meters	Diehl Metering meters (grey ring) e.g. CORONA MCI, CORONA MWI, CORONA MDI, ALTAIR, WESAN G. Pulse weight DN 15 to DN 40 (1 liter) Pulse weight DN 50 to DN 125 (10 liters) Pulse weight DN 150 to 300 (100 liters)

IZAR RC i G4

RADIO | RADIO MODULE

DIMENSIONS



IZAR RC i G4			
Length	L	mm	100
Height	H	mm	33
Width	B	mm	100